

Applied Signal Processing, Inc.

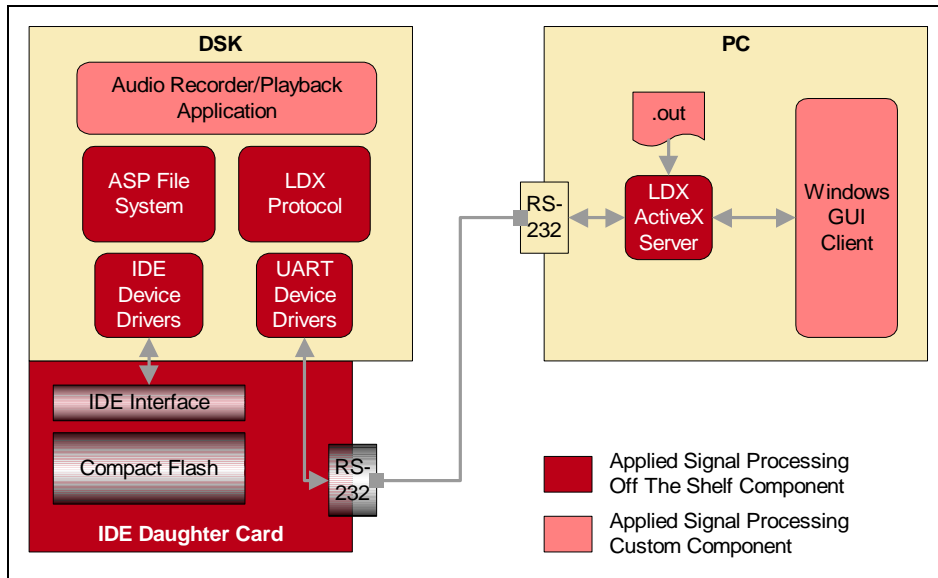
# NEWS/ANNOUNCEMENT

1981 N. Kollath Rd. / Verona, WI 53593 / 608.441.9921 / Fax 608.646.0311 / www.appliedsignalprocessing.com

## Applied Signal Processing to Demonstrate IDE Direct To Disk Audio Recorder at the Texas Instrument's Developers Conference.

### Join Us

Join Applied Signal Processing at the TI Developer Conference and network with the top signal processing companies! The TI Developer Conference is on February 15-17, 2005 at the Hilton Americas in Houston, Texas. Applied Signal Processing is an exhibitor at the conference and we invite you to [Join Us](#) as we demonstrate a Direct To Disk Audio Recorder.



### Direct To Disk Audio Recorder

Applied Signal Processing will be demonstrating an IDE "direct to disk" audio recorder created from off the shelf components available from TI and Applied Signal Processing. The recorder can simultaneously playback and record data in wav file format to a compact flash device at a sample rate of 44.1 KHz. The solution consists of Texas Instruments TMS3206713™ DSK, Applied Signal Processing's [Compact Flash/Hard Drive IDE Daughter Card](#), and Applied Signal Processing's FAT 32 compatible File system.

This stand alone solution will use the IDE daughter card's available RS-232 serial port and Applied Signal Processing's [Live Data Exchange](#) (LDX™) serial protocol and ActiveX™ server to allow a PC user running a windows based GUI to control and query the data recorder without the use of an emulator.

### Get in-Depth Technical Information

The TI Developer Conference has more than 100 technical sessions, including hands-on workshops, in signal processing technologies such as, High-performance analog (HPA), digital signal processing (DSP), Digital Light Processing™ (DLP), microcontroller and various complementary technologies. For more information go to [www.ti.com/tidc05](http://www.ti.com/tidc05).

### See You There!

Please visit us at booth #419 in the exhibitors area where we can show you how Applied Signal Processing's vast experience in DSP and Embedded systems can make your next DSP project a success!

*(LDX™ is a trademark of Applied Signal Processing, Inc. Other product or service names mentioned herein are the trademarks of their respective owners)*

